

Data sheet | Item number: 756-1103/060-020

PROFIBUS cable, straight; 2 m; fitted on one end; B-coded; M12 plug, straight; one free cable end



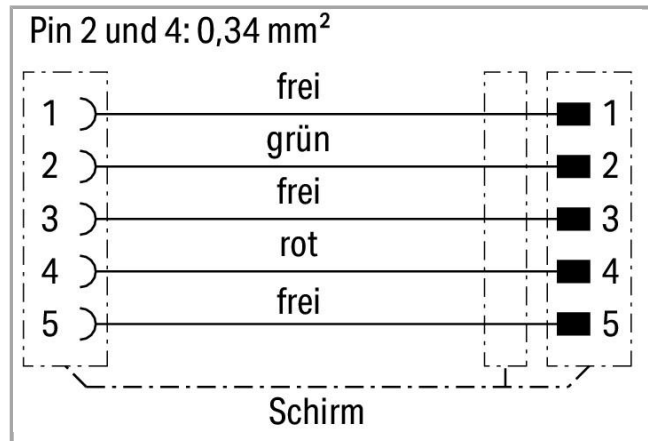
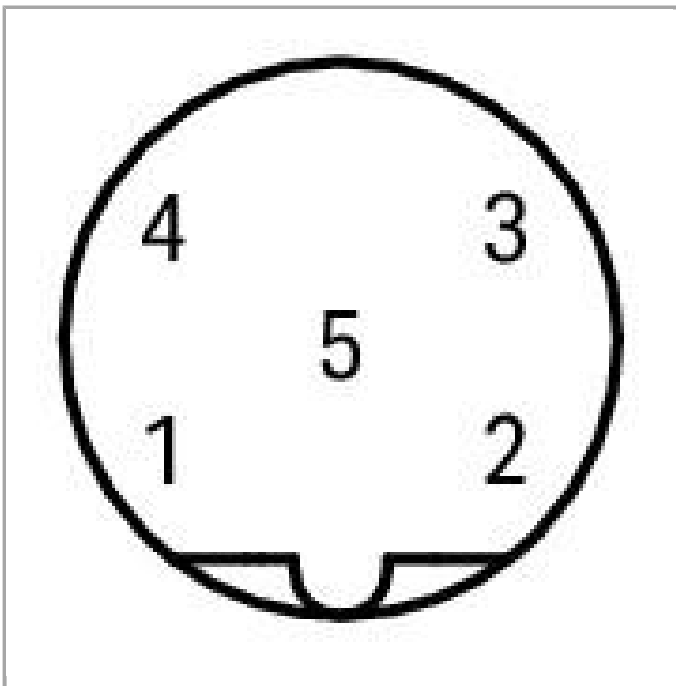
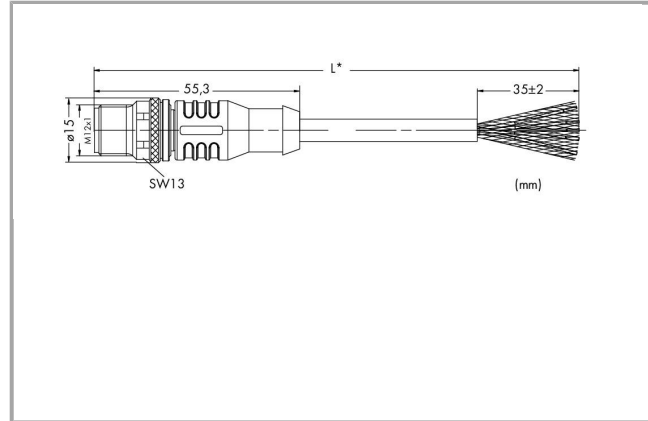
756-1103/060-020



RoHS  Compliant

[BOMcheck.net](#)

Color: ■



Item description

**Short description:**

- PUR, halogen-free
- Suitable for drag chains
- Silicon- and PVC-free
- Good resistance to microbes, hydrolysis, oil, chemicals and UV radiation
- Good chemical resistance

**Data****Technical Data**

|   |  |
|---|--|
| Connection type                             | M12 plug - free end                              |
| No. of poles                                | 5  |
| Leitungsanschlussrichtung zur Steckrichtung | 0°   |
| Steckgesichtskodierung Leitung/Adapter 1 1  | B coded  |
| Cable length                                | 2 m  |
| Communication/Fieldbus                      | PROFIBUS   |
| Operating voltage                           | ≤ 300 V  |
| Operating current                           | 4 A  |
| Rated surge voltage                         | 2 kV   |
| Insulation resistance                       | > 2500 MΩ/km                                     |
| Resistance of conductor                     | max. 55 Ω/km; Schleifenwiderstand: max. 110 Ω/km |

**Mechanical data**

|                               |   |
|-------------------------------|---|
| bending radius                | > 10 x cable Ø (flexible use); > 5 x cable Ø in drag chain (fixed installation) |
| Bending cycles                | 1 Mio.  |
| Schleppkettentauglichkeit     | yes   |
| Durchmesser der Mantelleitung | 7.3 ... 7.9 mm  |
| Bauartkurzzeichen             | LI02YS-(ST)CB11Y 1X(2X0,34SQMM)   |
| Screening                     | Shielding braid, (approx. 5.90 mm Ø), tinned CU-ETP1, coverage 85 % ± 5 %       |
| Conductor design              | Bare copper wire (19 x 0.15 mm)   |
| Leiterisolierung              | PE halogenfrei; Füllstoff: PP-Garn  |
| Housing material              | TPU/TPU, black (~ RAL 9005)   |
| Tightening torque             | 1 Nm  |
| Weight                        | 140 g   |
| Color                         | violet  |

**Environmental Requirements**

|                                      |                |
|--------------------------------------|----------------|
| Umgebungstemperatur (Betrieb) bewegt | -25 ... +60 °C |
|--------------------------------------|----------------|



|                                      |                     |
|--------------------------------------|---------------------|
| Umgebungstemperatur (Betrieb) ruhend | -50 ... +60 °C      |
| Protection class                     | IP67                |
| Degree of pollution (5)              | 3/2 per IEC 60664-1 |

### Commercial data

|                    |               |
|--------------------|---------------|
| Country of origin  | DE            |
| GTIN               | 4045454521592 |
| Customs Tariff No. | 85444290900   |

### Downloads

#### Documentation

#### System Description

|  |               |          |
|--|---------------|----------|
| I/O-SYSTEM – SPEEDWAY, General Product Information | pdf<br>1.1 MB | Download |
|--|---------------|----------|

Subject to changes.